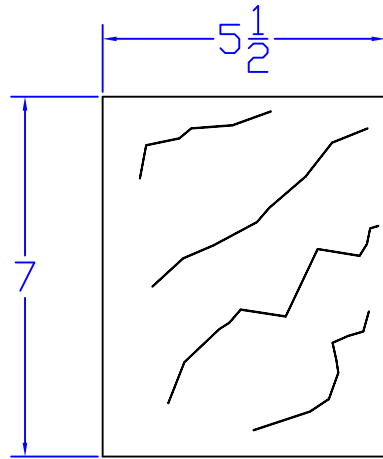
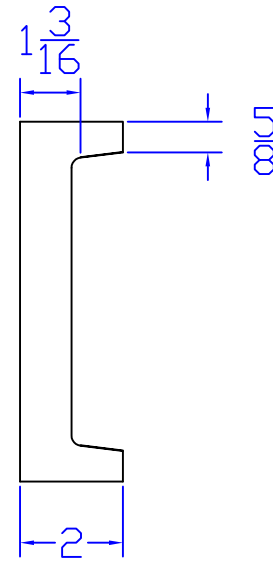


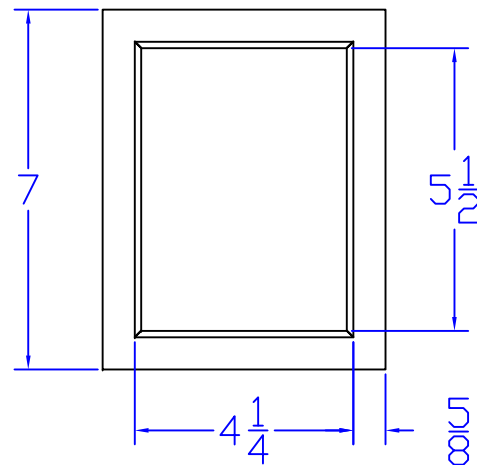
FRONT VIEW



SIDE SECTION



BACK VIEW



Sheet No.	Model No.	Coverage & Weight	AnticoElements.com All Rights Reserved	Laguna Stone Outlet & Switch Trim
1	OUST-0507	Weight: 1.0 Lb		