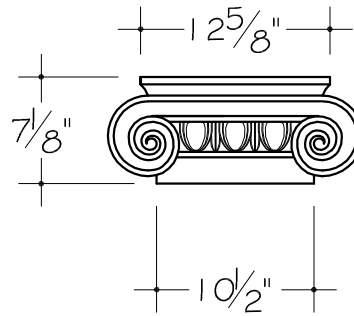
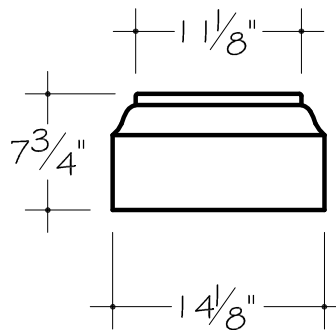


AP-508



Front View

AP-528



Front View

AP-522

Travertine Marble

AnticoElements.com

Model No.

AP - 508

AP - 528

AP - 522

Sheet No.

ALL ITEMS ON THIS PAGE DRAWN AT 1" = 1'-0"