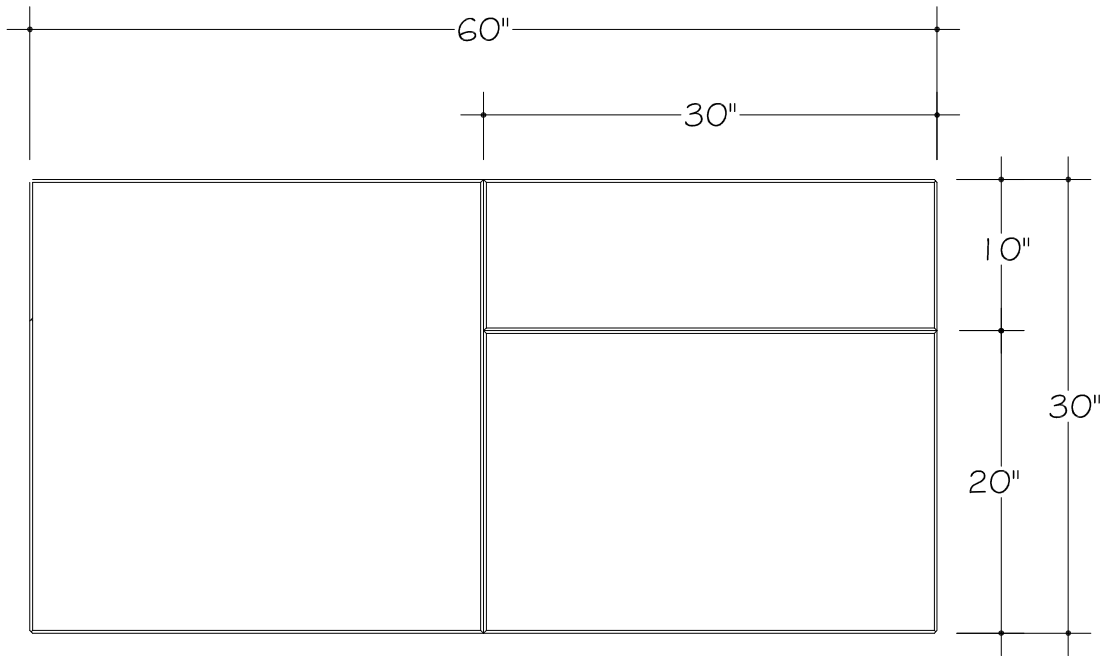


AP-101A



AP-101B

Typical Panel Thickness = 3/4"

ALL ITEMS ON THIS PAGE DRAWN AT 1" = 1'-0"

Coral Stone

AnticoElements.com

Model No.

Elliot Panel

AP - 101A

AP - 101B

Sheet No.